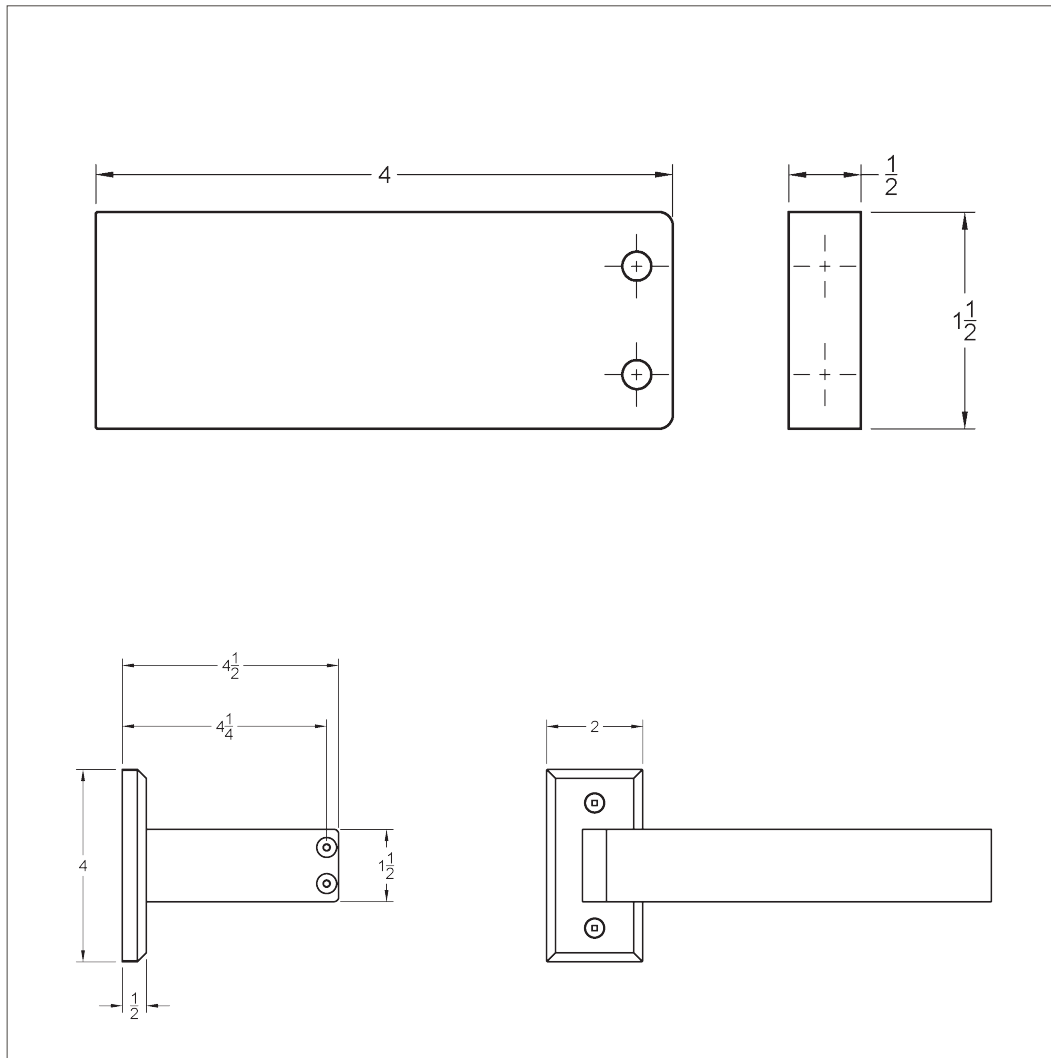




## Flat Iron Collection

### Return Wall Bracket



**Dimensions:** 1.5"H x 0.5"W x 4"D

**Projection:** 4.25" from wall to center of rod

\*Compatible with any of the four standard backplate options:

- Horizontal
- Vertical
- Mini Horizontal
- Mini Vertical

\*drawing shown with vertical backplate

- Includes mounting hardware for both hollow wall (sheetrock) and stud installations, for concrete please inquire.
- Hidden 1/4" adjustment glide allows for minor installation adjustments.
- Custom projections and double rod installs available.

**Make the Flat Iron Hardware your own!**

- Crafted to project specifications
- Handcrafted of Solid Steel
- Wood and Leather options available
- Signature Plated Finishes
- Motorization option available
- Outdoor Option Available - please inquire